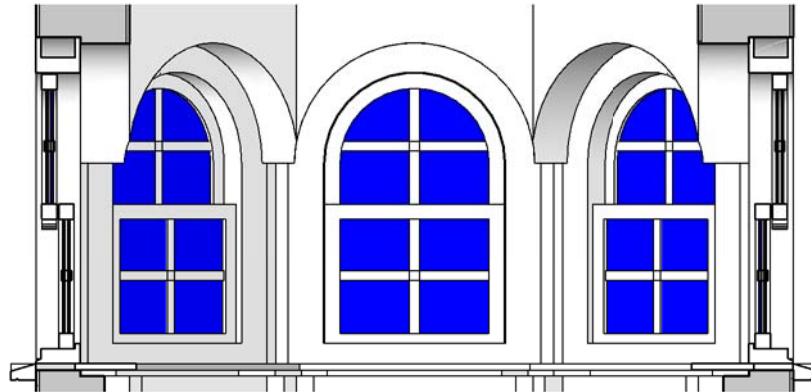
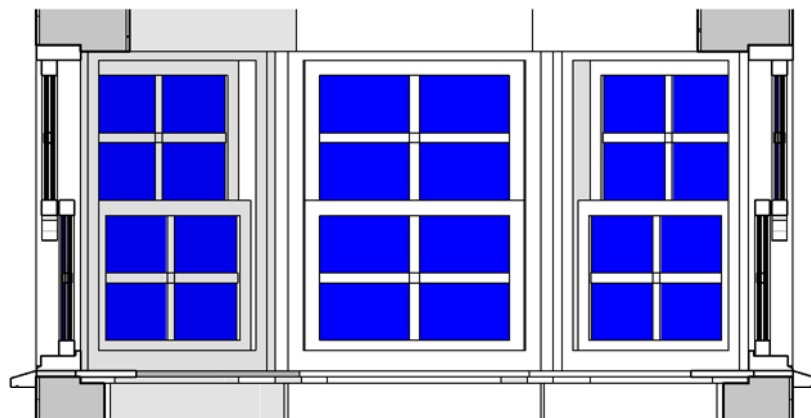


SASH

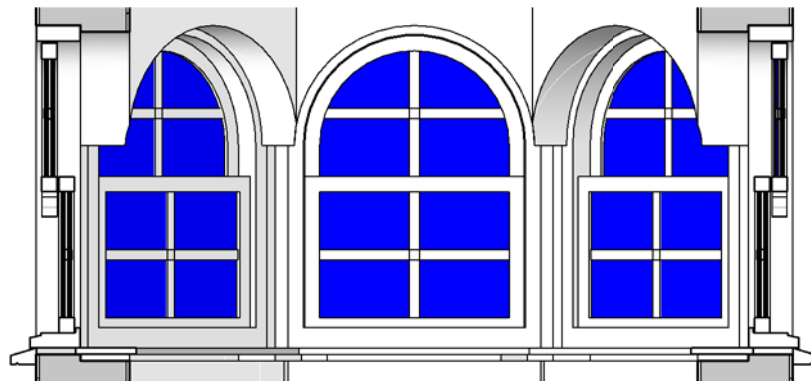
ARC SASH & WEIGHTS



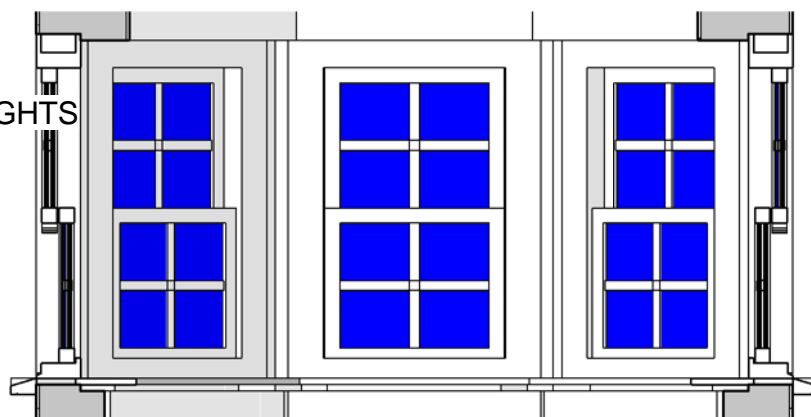
STANDARD SASH



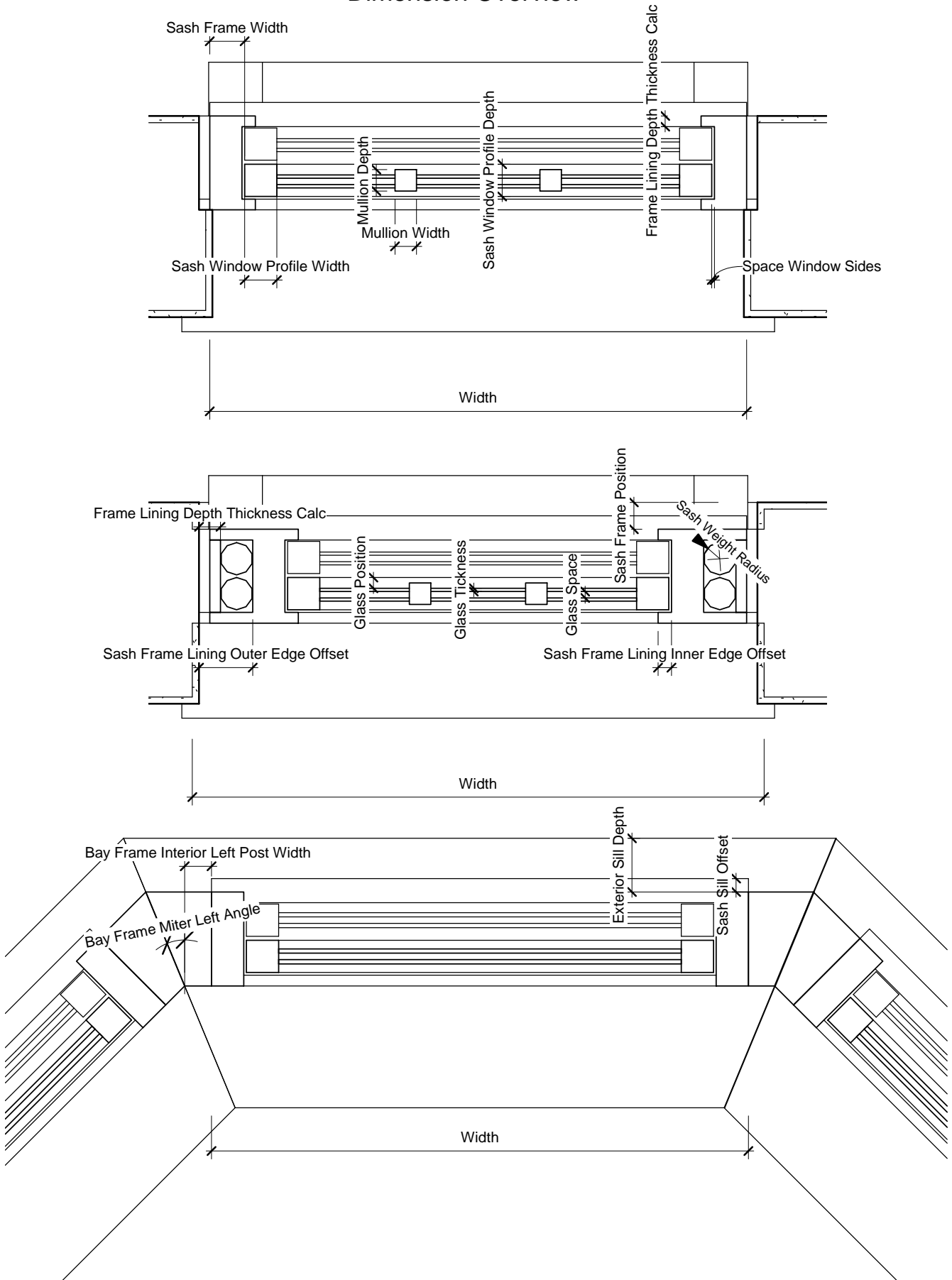
ARC SASH



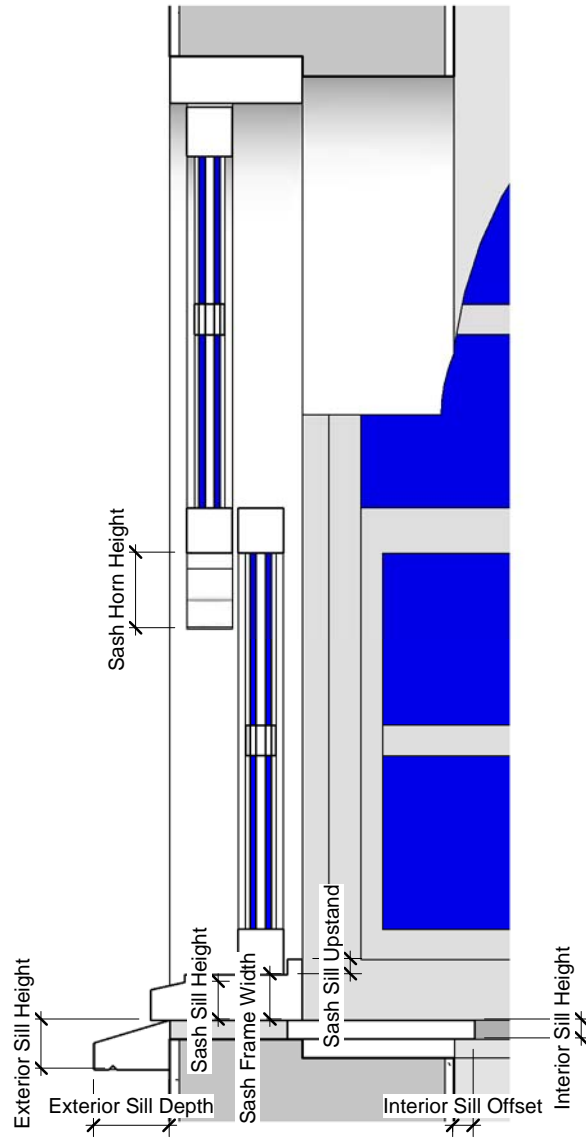
STANDARD SASH & WEIGHTS



Dimension Overview

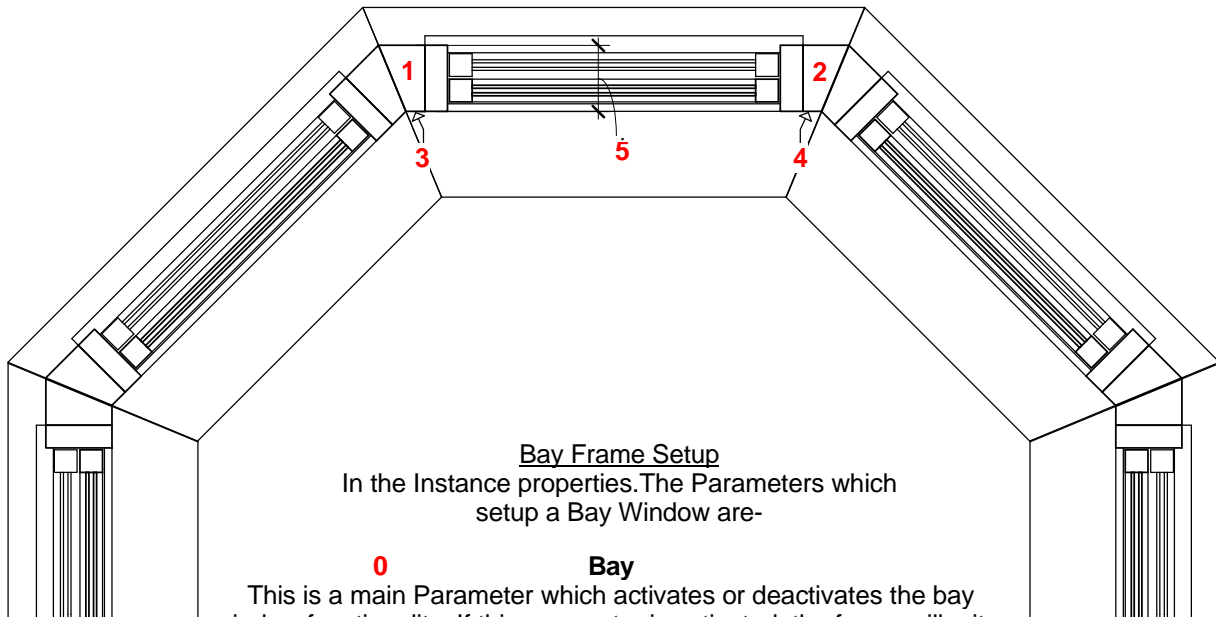


Dimension Overview



SECTION DIMENSIONS

Dimension Overview



Bay Frame Setup

In the Instance properties. The Parameters which setup a Bay Window are-

0 Bay

This is a main Parameter which activates or deactivates the bay window functionality. If this parameter is activated, the frame will miter according to the values set in the instance parameters. If deactivated, the miters will set to a standard frame with zero degrees angle

1 Bay Frame Miter Left Angle

Controls the angle of the Left mitered edge when the Bay parameter is activated

2 Bay Frame Miter Right Angle

Controls the angle of the Right mitered edge when the Bay parameter is activated

3 Bay Frame Left Interior Post Width

Controls the width of the left interior mitered edge when the Bay parameter is activated

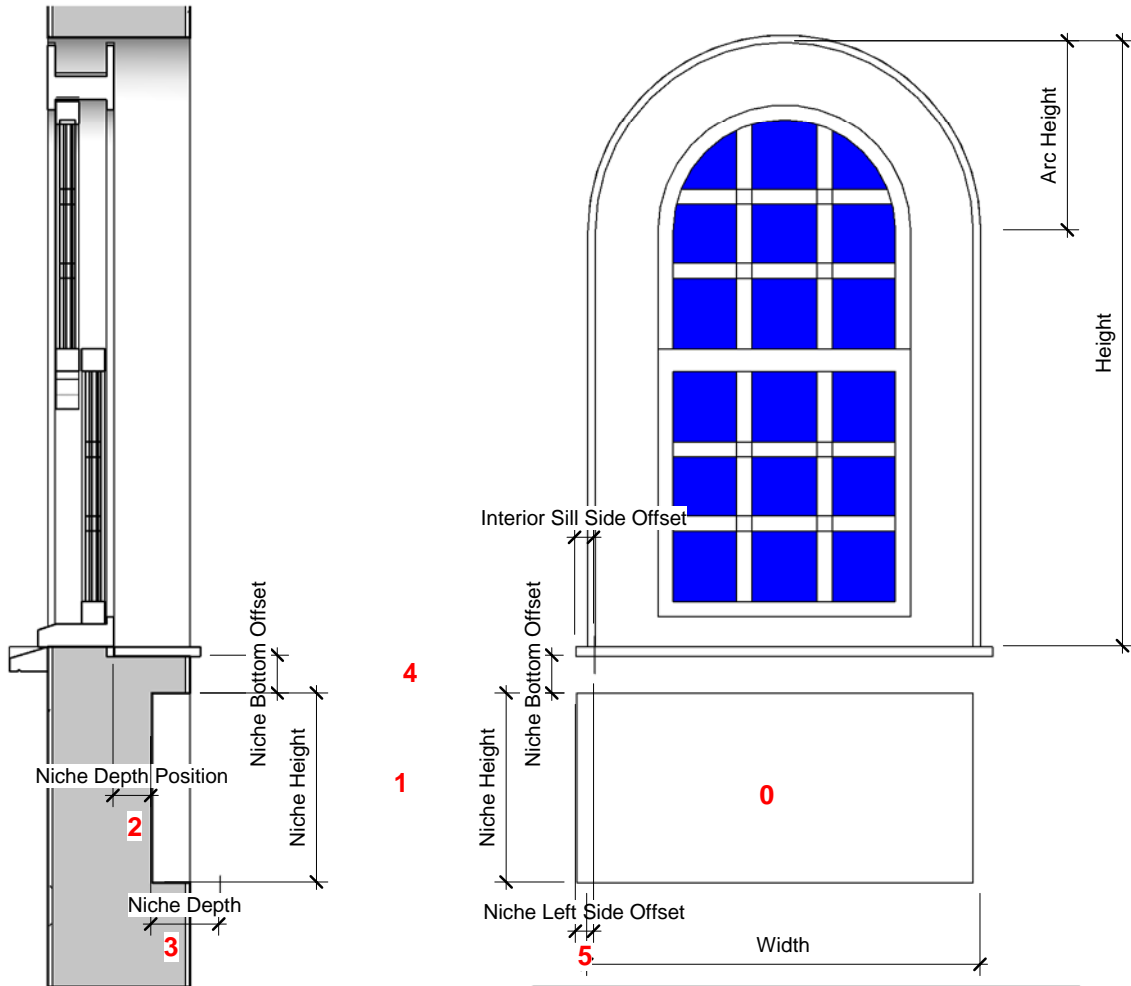
4 Bay Frame Right Interior Post Width

Controls the width of the right interior mitered edge when the Bay parameter is activated

5 Bay Frame Post Depth

Controls the depth of the left and right mitered post when the Bay parameter is activated

Dimension Overview



0 Niche

This is a main Parameter which activates or deactivates the Niche functionality. If this parameter is activated, the niche will appear and cut the wall according to the values set in the instance parameters. If deactivated, the niche disappears.

1 Niche Height

2 Niche Depth Position

3 Niche Depth

4 Niche Bottom Offset

5 Niche Left Side Offset

Arc Height

This Parameter controls the arc height and is a dimension parameter. If the value of this parameter is a full is a extreme value then the arc will flex the full maximum height and you will achieve a full round semi circle arc. If the value is zero, the arc will adjust to a straight head window

Sash Bottom Height %

This Parameter controls the Height in percentage of the bottom sash. Sash Bottom Height % can be setup to between 0 to 100% of the Height.

Sash Top Height %

This Parameter controls the Height in percentage of the top sash. Sash Top Height % can be setup to between 0 to 100% of the Height.

Sash Bottom Opening %

This Parameter controls the Vertical position of the bottom sash window. This is an integer parameter which only uses the value 0 to 100% If the value is set to 0, the vertical position will be in a closed position on the bottom. If the value is set to 100, this will open the sash and will be positioned from the bottom to the top.

Sash Top Opening %

This Parameter controls the Vertical position of the top sash window. This is an integer parameter which only uses the value 0 to 100% If the value is set to 0, the vertical position will be in a closed position on the top. If the value is set to 100, this will open the sash and will be positioned from the top to the bottom.