

Image 1.1

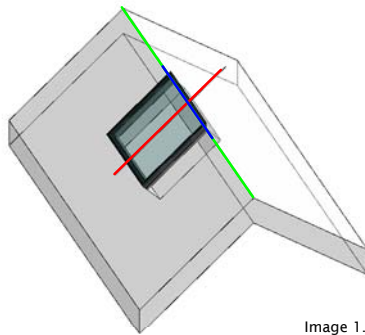


Image 1.2

Step 1

Insert the Ridge Glazing Family on the first side of your roof.

In the Instance Element Properties of the Ridge Glazing Element activate the Parameter *Reference Line* in the Group *Constraints*. You should then see two black Reference Lines that are marked as Red and Blue Linies on the Image 1.1 on the left side.

In case that the Blue marked Reference Line is at the bottom of the Ridge Glazing Element use the Space Bar to rotate it so that the Blue marked Reference Line is near to the Ridge which is marked as green line on the Image shown on the left side.

Then use the command Align and align the Blue Reference Line to the Green Ridge Line and lock it. The result should be as shown on the Image 1.2 on the left side.

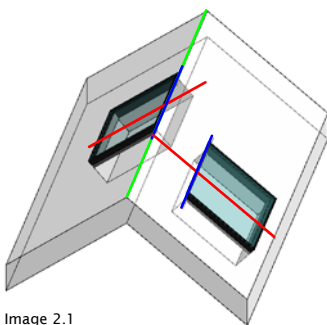


Image 2.1

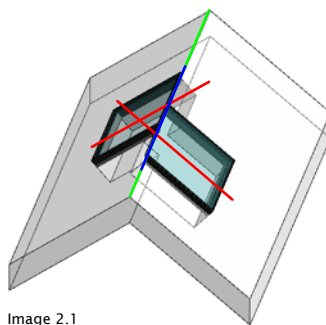


Image 2.1

Step 2

Insert the same type of the Ridge Glazing Family on the second side of your roof.

In the Instance Element Properties of the Ridge Glazing Element activate the Parameter *Reference Line* in the Group *Constraints* as you have done this for the first Element. You should then see two black Reference Lines that are marked as Red and Blue Linies on the Image 2.1 on the left side.

In case that the Blue marked Reference Line is at the bottom of the Ridge Glazing Element use the Space Bar to rotate it so that the Blue marked Reference Line is near to the Ridge which is marked as green line on the Image shown on the left side.

Then use the command Align and align the Blue Reference Line of the second Ridge Glazing Element to the Blue Reference Line of the first Ridge Glazing Element and lock it. Do not align the Blue Reference Line of the second Ridge Glazing Element to the as green Line marked Ridge Line. The result should be as shown on the Image 2.2 on the left side.

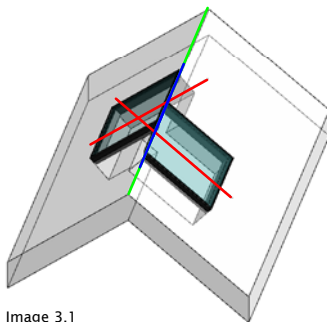


Image 3.1

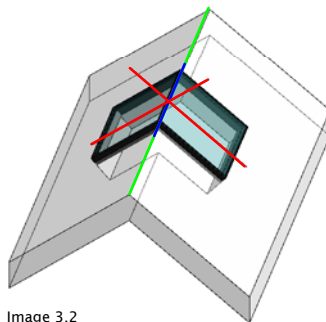


Image 3.2

Step 3

Finally use the command Align and align the Red Reference Line of the second Ridge Glazing Element with the Red Reference Line of the first Ridge Glazing Element and lock it. The result should be as shown on the Image 3.2 on the left side.

Now you have one Ridge Glazing Unit that flexes also as one unit

To get an proper mitre connection between the Ridge Glazing Elements you have now to adjust the Parameter *Angle* that you can find at the Type Element Properties under the Group *Dimensions* to the Angle of the Roof.

The Elements are now properly inserted so that you can now change the Parameter *Width* and *Height* that you can find in the Type Element Properties under the Group *Dimensions* to control the size of the Ridge Glazing Elements as shown on the Image 4.1 and 4.2 at the bottom of this page.

Material Parameters:

- Silicone Seal
- Pane
- Frame
- Curb

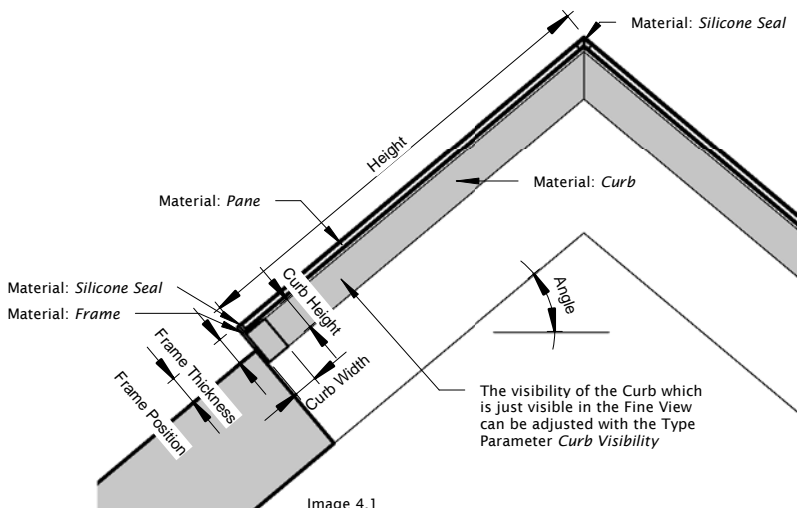


Image 4.1

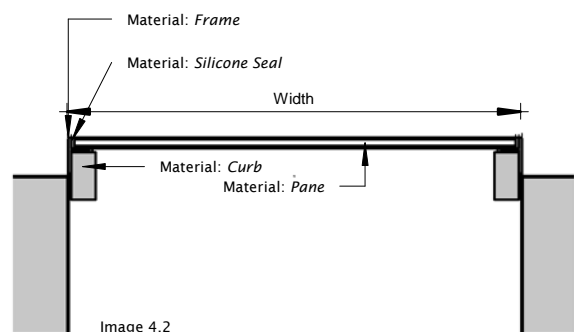


Image 4.2